



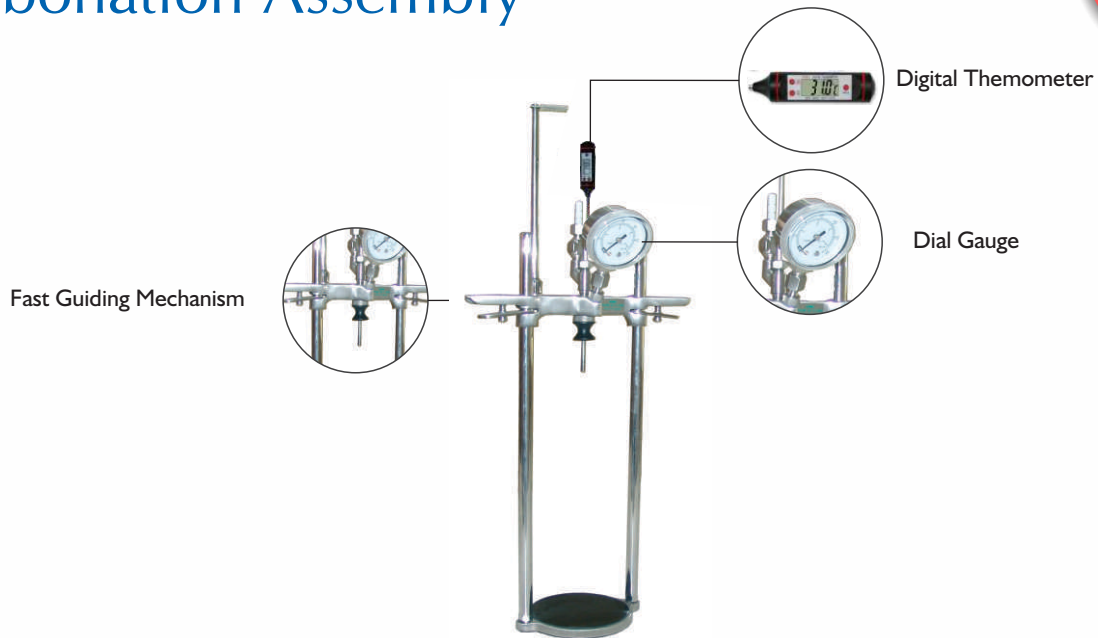
Presto Stantest Pvt. Ltd.

I-42, DLF Industrial Area Phase-1, Delhi Mathura Road, Faridabad 121003, Haryana, India
P : 9210 903 903, +91 129 4272727, 93111 24302 E : info@prestogroup.com

- Faridabad • Kolkata • Mumbai • Pune • Ahmedabad
- Chennai • Bangalore • Hyderabad



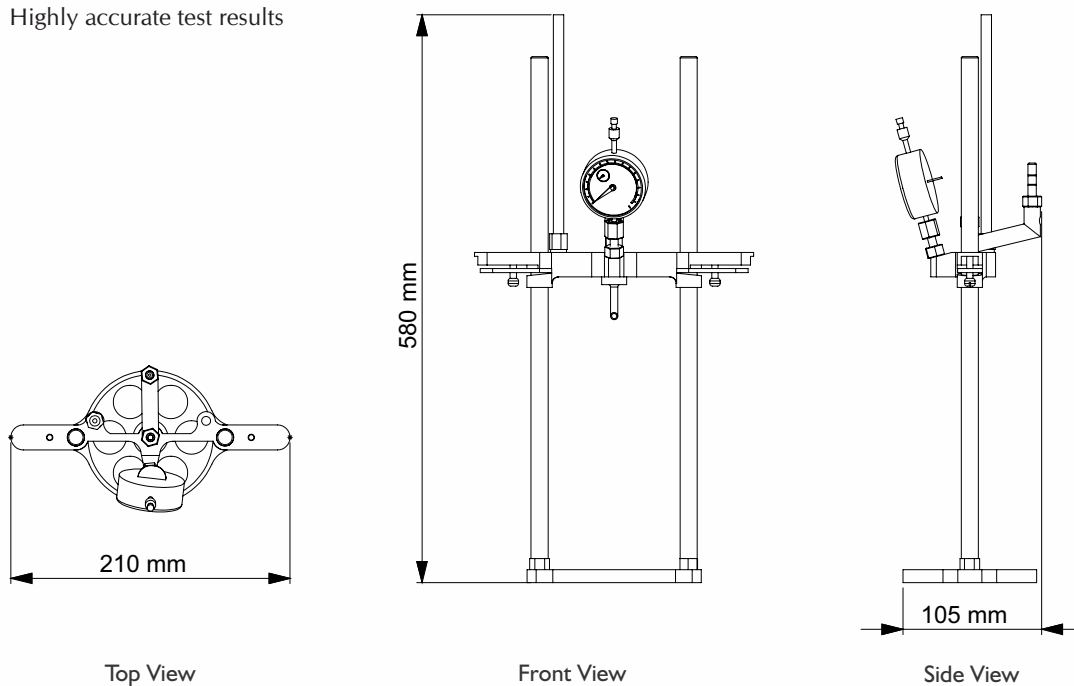
Carbonation Assembly



Model No. PCM - 0120

Carbonation Assembly is a consistent tool useful for determining the pressure and temperature of carbonated drinks. Accurate and reliable testing assembly in PET Bottles industry.

- High Quality rugged structure with corrosion resistant main body
- Dial gauge to measure the pressure
- Light weight and resilient
- Digital Thermometer inserted through piercing needle
- Fast Guiding Mechanism with locking clip
- Single handed hassle free operation with Spherical Indenter
- Highly accurate test results





Presto Stantest Pvt. Ltd.

I-42, DLF Industrial Area Phase-1, Delhi Mathura Road, Faridabad 121003, Haryana, India
P : 9210 903 903, +91 129 4272727, 93111 24302 E : info@prestogroup.com

- Faridabad • Kolkata • Mumbai • Pune • Ahmedabad
- Chennai • Bangalore • Hyderabad



Key Specifications:

Pressure Gauge Range	0 – 4.2 Kg/cm ² or 0 – 60 psi
Digital Temperature Gauge Range	-50°C to 300°C
Height of Span	350 mm
Diameter	95.5 ± 0.5 mm

Highlights:

Dial Gauge	1
Locking screw	Yes
Material of Main Body	Stainless Steel
Dimensions	580x210x105 mm
Digital Temperature Thermometer	1

PRESTO Carbonation Assembly tester is equipped with spherical indenter which indents the sample under punch assembly using pressing tool. The readings are thereafter noticed on respective gauges.

Optional :

- Carbonation assembly other size also available on request.
- GV Shaker also available

Thank you customers for choosing us as your partners in growth !



*All the above logos are the sole property of their respective owners and are used purely for depiction purposes only.

OUR OTHER PRODUCTS :-

Top Load Tester	Wall Thickness Gauge	Gloss Meter Triangle	Eccentricity Tester	Moisture Analyzer MB 45	Preform Neck Cutter